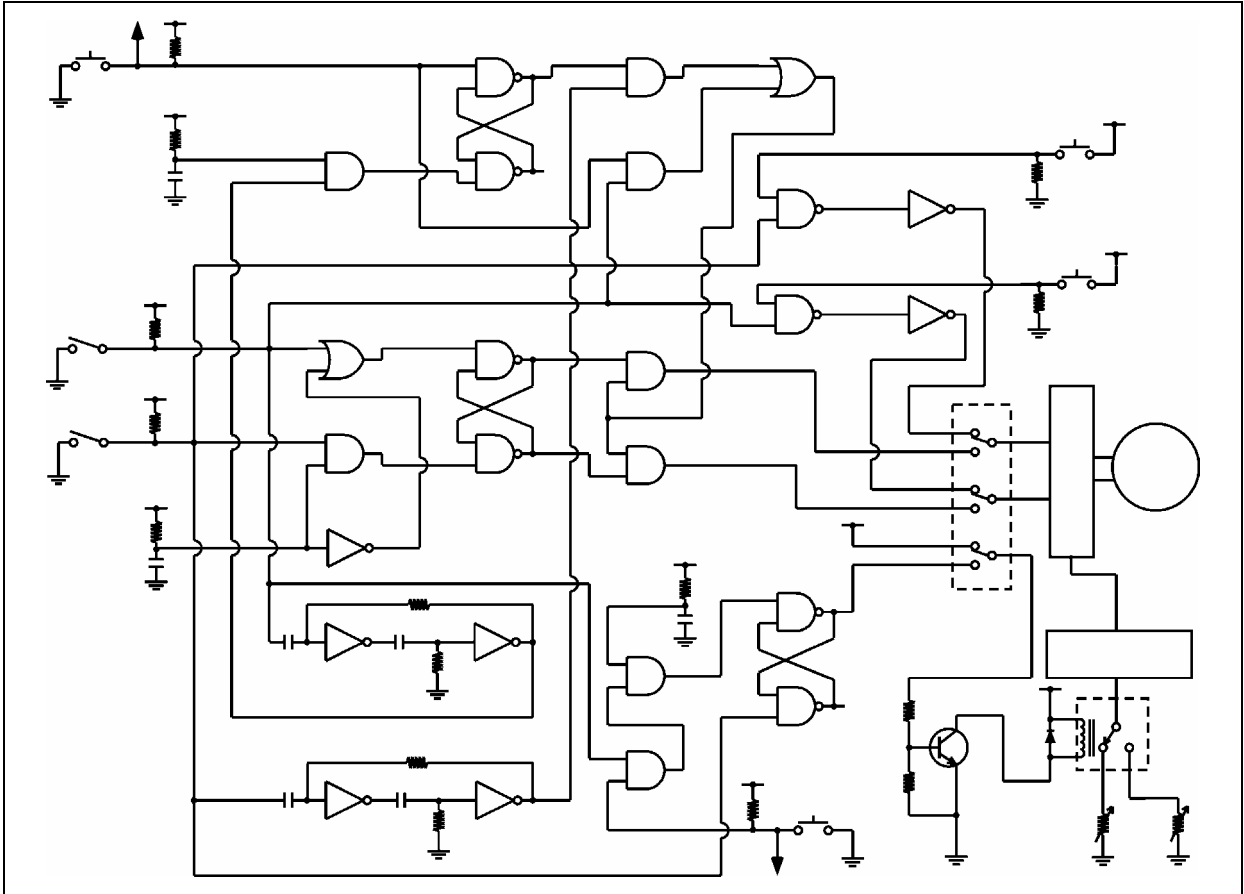
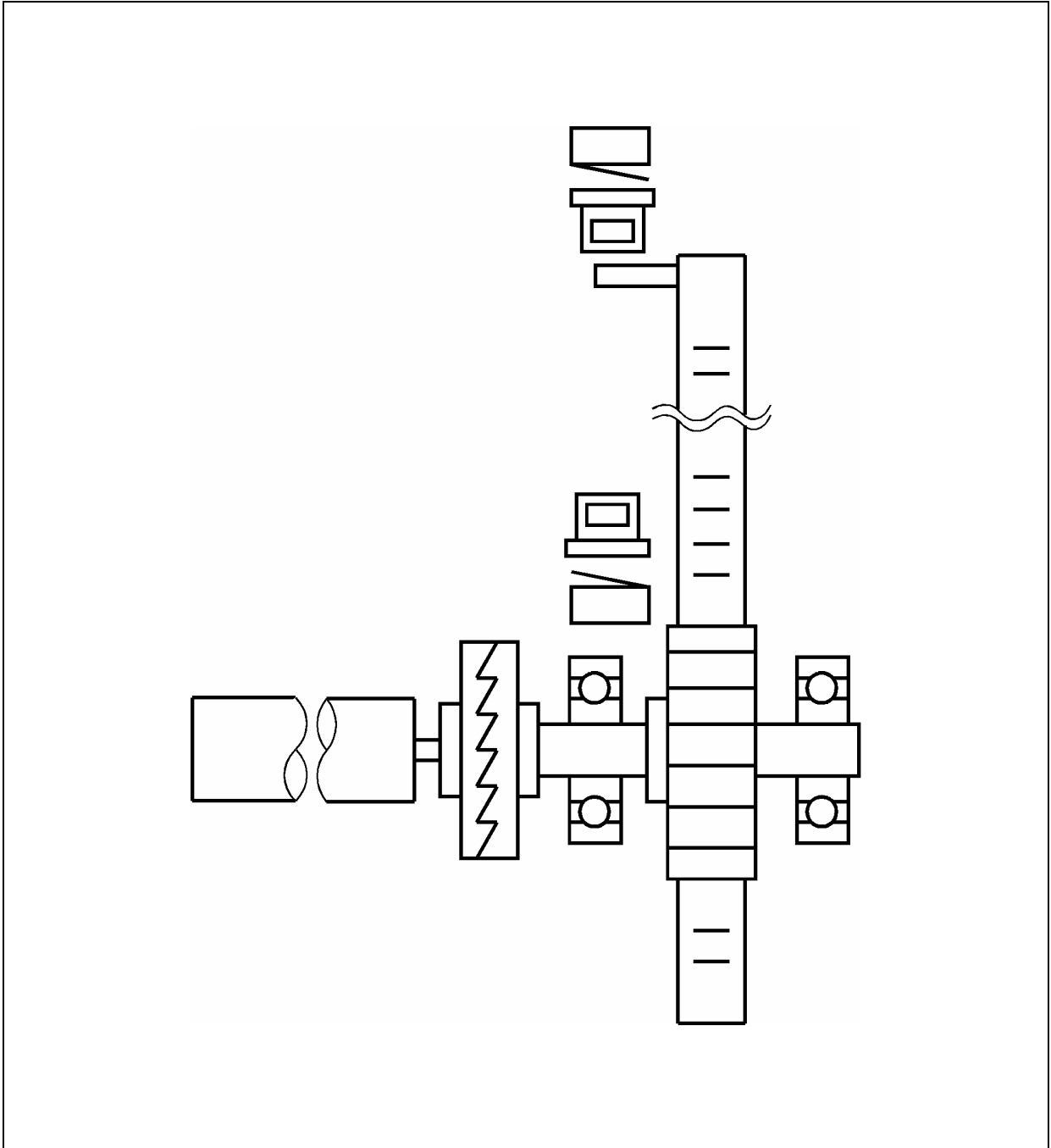


回路図



配置図



Copyright©2007 NIPS Technical Division. All Rights Reserved.